

WP2 Lite Web Panel

SALIENT FEATURES

- Thin Client with an inbuilt Micro browser ready to connect to a remote web server on the network.
- 4.3", 7" and 10.1" Color TFT display options.
- Run a wide variety of Industrial Web Applications on board the 32-bit ARM Cortex-M7 device.
- Easily installable in complex Industrial Environments.
- Easily configurable with a host of features like screen rotation, automatic scaling, screen timeout and many more.
- Approvals: CE, UL Class I Div 2, IP66.



MODEL COMPARISON

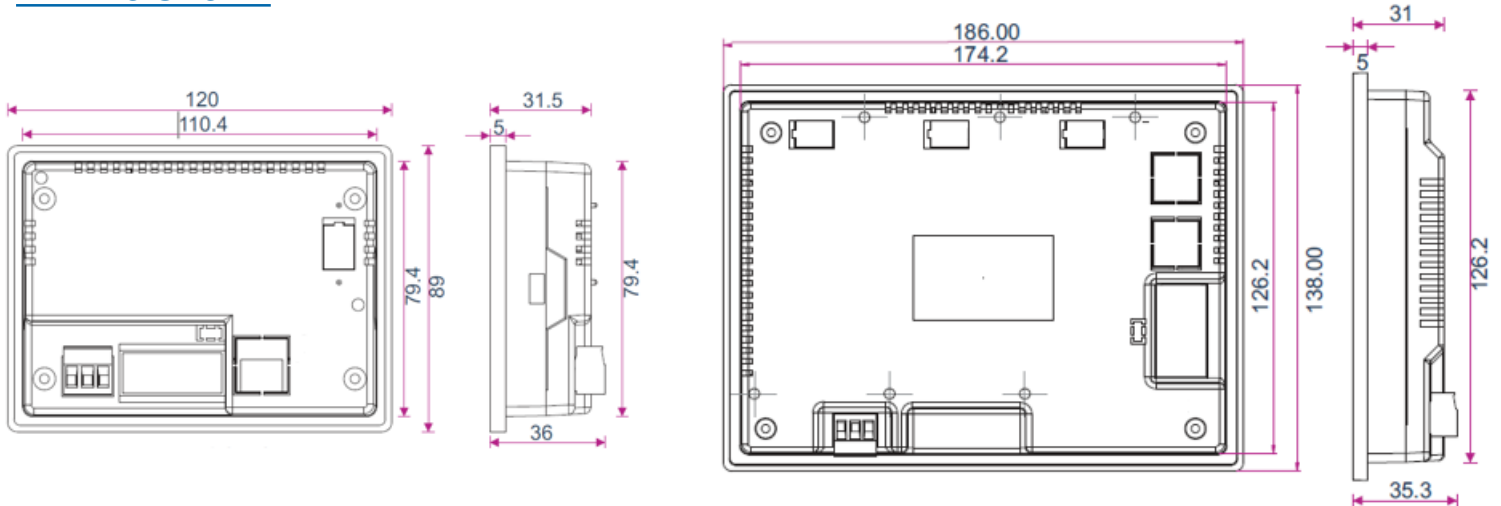
Part Number	WP2043TN	WP2070TN	WP2101TN
Size	4.3" Color TFT, WQVGA	7" Color TFT, WVGA	10.1" Color TFT, WSVGA
Resolution	480 x 272 pixels	800 x 480 pixels	1024 x 600 pixels
Touch Screen	Analog Resistive		
CPU and Power			
CPU	32-bit ARM Cortex-M7		
RAM	32MB		
Power Supply	24VDC (+20%, -15%)		
Communication Interfaces			
Ethernet	1x 10/100Mbps		
OSK	Yes		
Environment & Approvals			
Operating Temp	0°C to 50°C		
Storage Temp	-20°C to 85°C		
Humidity	10 to 95% (Noncondensing)		
Shock	IEC 60068-2-27, 25g, 11ms, 6 shocks per axis, total 18 shocks (X, Y, Z)		
Vibration	5~150Hz, 3g peak, (X, Y, Z)		
Protection	IP66 for front panel mounting		
Approvals	CE, UL(Class 1 Div.2), RoHS		
Features			
Supported Web Servers [#]	Spider Controls, Codesys2.x, Codesys3.x		

[#]Codesys, SpiderControl etc. are registered trademarks of their respective owners and Renu electronics does not claim any rights over them

ORDERING INFORMATION

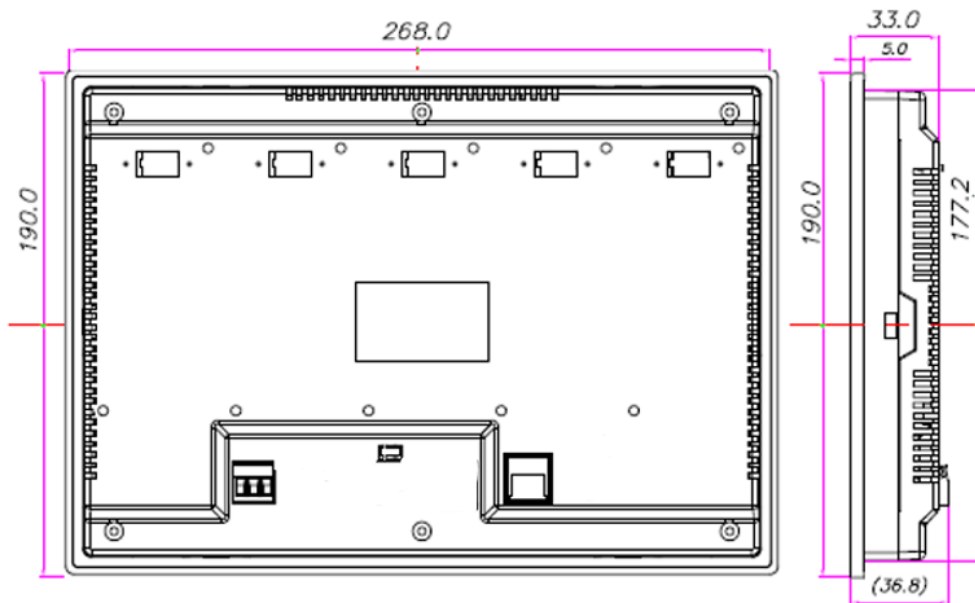
Models	Description
WP2043TN	4.3" TFT Web Panel, 24VDC, 1 Ethernet (10/100Mbps)
WP2070TN	7" TFT Web Panel, 24VDC, 1 Ethernet (10/100Mbps)
WP2101TN	10.1" TFT Web Panel, 24VDC, 1 Ethernet (10/100Mbps)

DIMENSIONS



WP2043TN

WP2070TN



WP2101TN

Disclaimer: All trademarks and brand names are the property of their respective owners.

Please contact factory for more information. We welcome an opportunity to develop new, custom drivers and customized units.



HEAD OFFICE
 Survey No. 2/6, Baner Road,
 Pune - 411045, India.
 Tel : +91 20 2729 2840 - 46
 Email : info@renuelectronics.com

FACTORY
 Gat No. 1163, Ghotawade,
 Tal - Mulshi, Pune - 412115, India.
 Tel: +91 20 6687 2900

REGIONAL OFFICES

- Ahmedabad
- Bangalore
- Chennai
- Coimbatore
- Kolkata
- Mumbai
- New Delhi

OVERSEAS DISTRIBUTORS

- USA
- Europe
- Asia Pacific